

## Burns and Ferrall Locations

**AUCKLAND**  
12 Reg Savory Place  
East Tamaki, Auckland

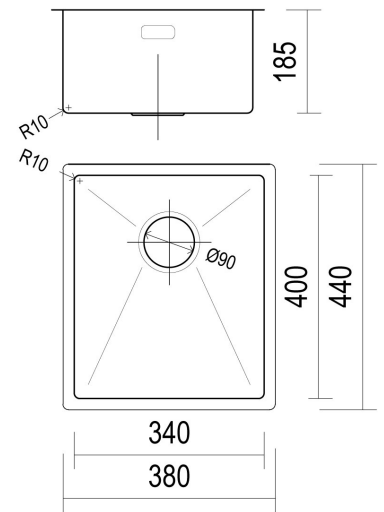
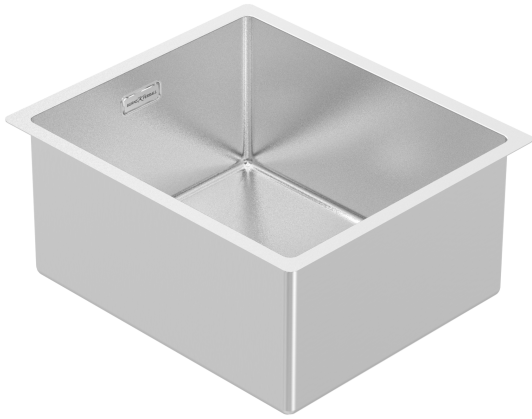
0800 697 465

**WELLINGTON**  
122-124 Tory Street  
Te Aro

**HAMILTON**  
60 Alexandra Street  
Central

**CHRISTCHURCH**  
345 St Asaph Street  
Christchurch

## Product Specification Sheet DIM380R10



### Designer R10

B&F Designer R10 340 Single Bowl

<b>Models</b>	<b>Corner Radius</b>
DIM380R10	10mm
<b>Overall Dimensions W x D</b>	<b>Waste</b>
380 x 440mm	90mm
<b>Bowl Dimensions W x D x H</b>	<b>Installation</b>
340 x 400 x 200mm	' Flush / Undermount
<b>Material &amp; Finish</b>	<b>Minimum Cabinet Size</b>
1.2mm 304 Stainless Steel, DIAMOND FINISH	460mm

### Accessories Available (optional)



**BFDDT15**  
DRAINING TRAY  
425 X 360mm

**BFDRMB**  
ROLLER MAT  
480 X 450mm

**BFDCO**  
COLANDER  
430 X 165mm

E&OE – it is recommended all measurements are taken directly from the product. Specification subject to change without notice, always consult the literature supplied with the product. Coloured images are indicative only.